

# Fancyarn

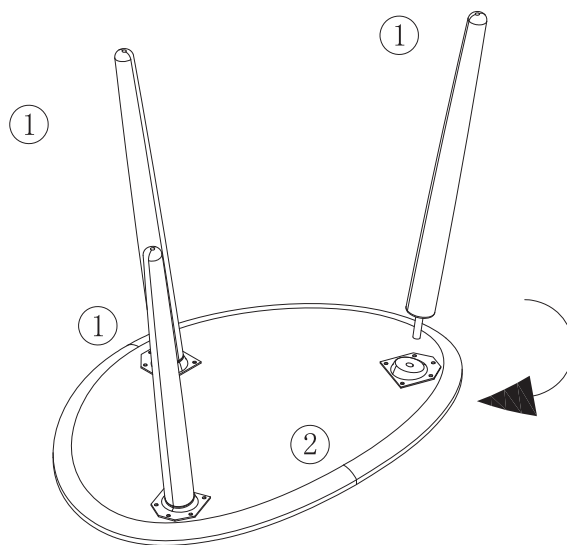
## Ebble-shaped end tables

H00J07&Y00J07

# Assembly Instructions



Lay the tabletop facedown on a flat, clean and non-abrasive surface. Attach the legs to the tabletop as shown in the diagram below. Tighten each leg by turn it clockwise.



## Contact Us

If you encounter any problems when using this product, please feel free to contact us through the following methods or scan the QR code to get a quick response and a satisfactory solution.

**Amazon Platform:** "Contact Seller"

**Official Website:** <https://fancyarn.afterservice.vip>

**Email Address:** [fancyarn@afterservice.vip](mailto:fancyarn@afterservice.vip)

Get 24/7 Assistance at



Or Visit: <https://fancyarn.afterservice.vip>