

Fancyarn

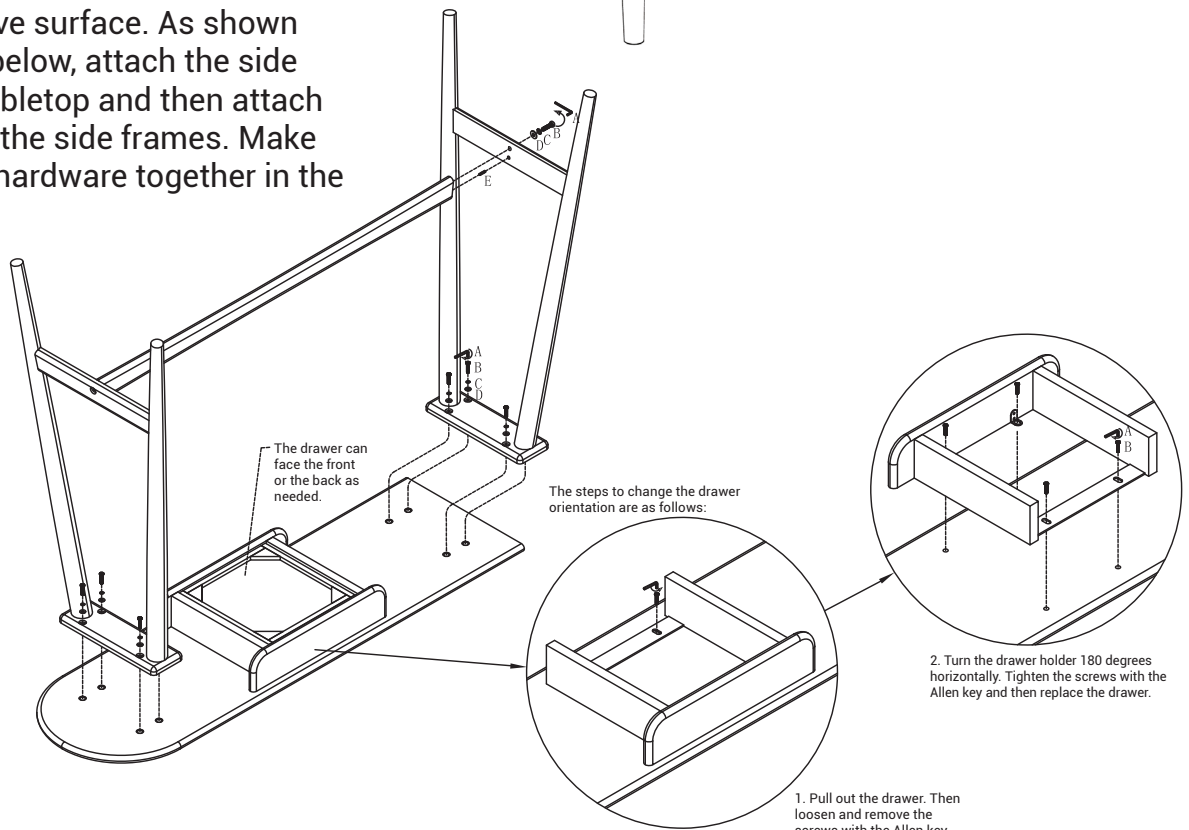
Bar table

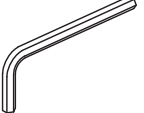
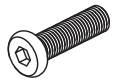


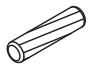
Y84X13

Assembly Instructions



The assembly steps are as follows:
Lay the tabletop facedown on a flat, clean and non-abrasive surface. As shown in the diagram below, attach the side frames to the tabletop and then attach the stretcher to the side frames. Make sure you fit the hardware together in the correct order.



				
A. Allen key x 1	B. Socket cap screws (M8×35) x 10	C. Split washers (M8×13) x 10	D. Flat washers (M8×16) x 10	E. Wooden dowels (ø10×40) x 2

Contact Us

If you encounter any problems when using this product, please feel free to contact us through the following methods or scan the QR code to get a quick response and a satisfactory solution.

Amazon Platform: "Contact Seller"

Official Website: <https://fancyarn.afterservice.vip>

Email Address: fancyarn@afterservice.vip

Get 24/7 Assistance at



Or Visit: <https://fancyarn.afterservice.vip>