

Fancyarn

Gray & White Series – Writing desk

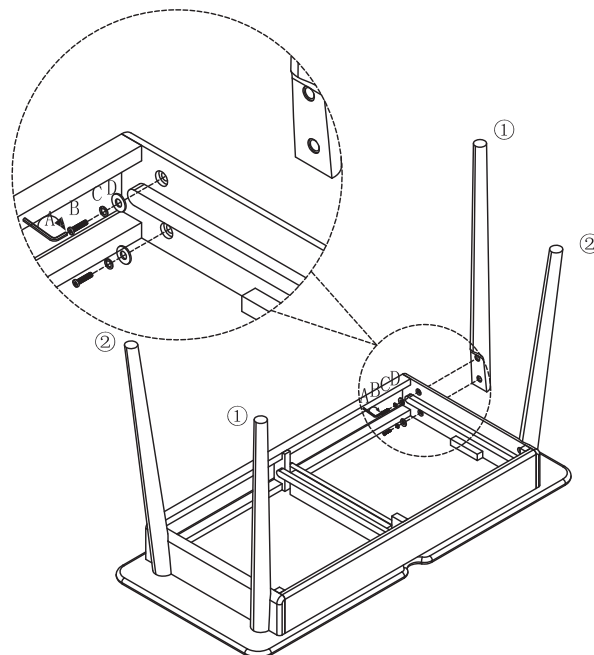
Y56X01

Assembly Instructions

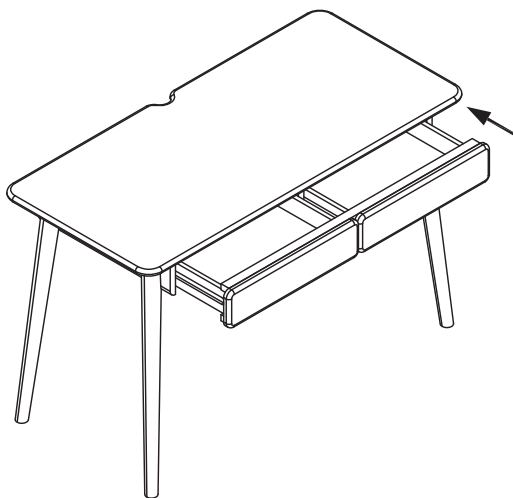


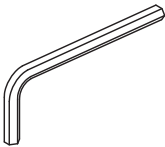
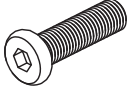


The assembly steps are as follows:

Step 1: Take out the drawers. Lay the desktop facedown on a flat, clean and non-abrasive surface. Attach the legs (diagonally interchangeable) to the desktop as shown in the diagram below. Make sure you fit the hardware together in the correct order.



Step 2: Stand the assembled desk on the floor and replace the drawers.



			
A. Allen key x 1	B. Socket cap screws (M8×40) x 8	C. Split washers (M8×13) x 8	D. Flat washers (M8×16) x 8

Contact Us

If you encounter any problems when using this product, please feel free to contact us through the following methods or scan the QR code to get a quick response and a satisfactory solution.

Amazon Platform: "Contact Seller"

Official Website: <https://fancyarn.afterservice.vip>

Email Address: fancyarn@afterservice.vip

Get 24/7 Assistance at



Or Visit: <https://fancyarn.afterservice.vip>