

# Fancyarn

## Capsule-shaped coffee table with a hanging drawer

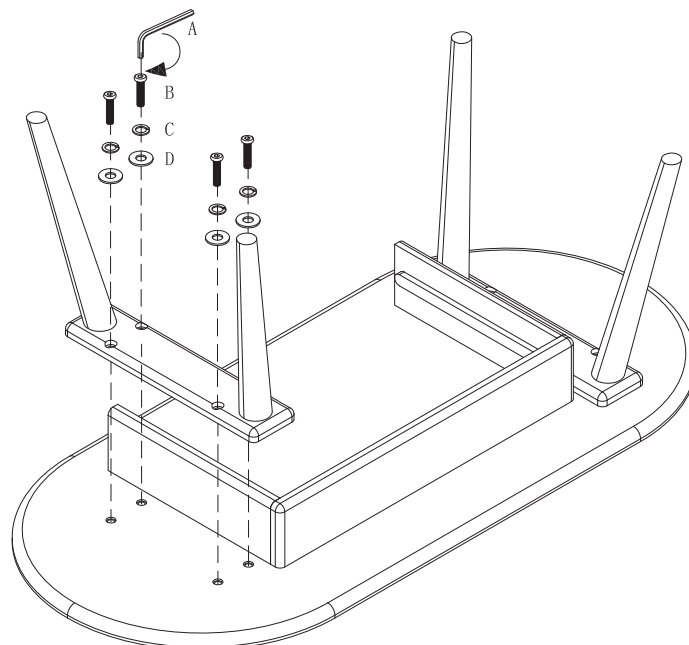
H83J44

### Assembly Instructions

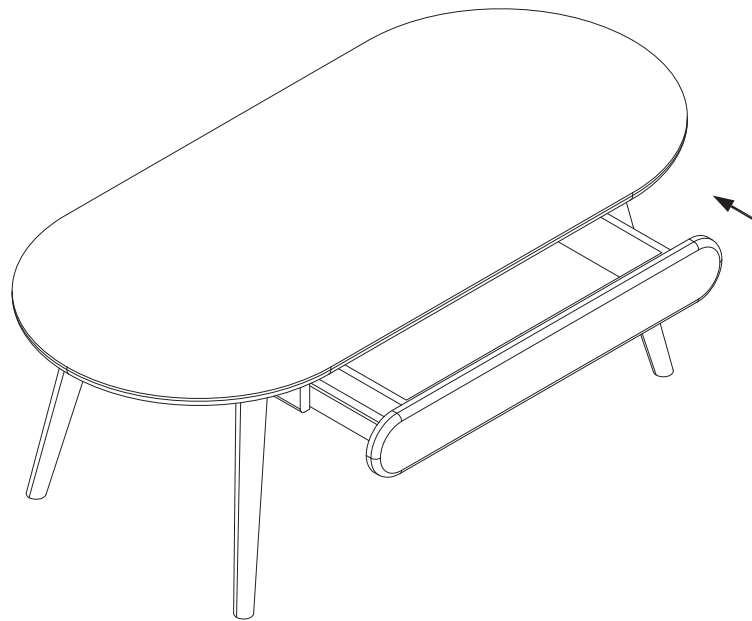


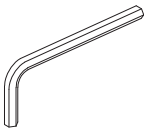
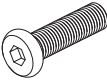


The assembly steps are as follows:

Step 1: Take out the drawer. Lay the desktop facedown on a flat, clean and non-abrasive surface. Attach the legs to the tabletop as shown in the diagram below. Make sure you fit the hardware together in the correct order.



Step 2: Stand the assembled table on the floor and replace the drawer.



			
A. Allen key x 1	B. Socket cap screws (M8) x 8	C. Split washers (ø8) x 8	D. Flat washers (ø8) x 8

## Contact Us

If you encounter any problems when using this product, please feel free to contact us through the following methods or scan the QR code to get a quick response and a satisfactory solution.

**Amazon Platform:** "Contact Seller"

**Official Website:** [https://fancyarn.afterservice.vip](https://fancyarn afterservice.vip)

**Email Address:** [fancyarn@afterservice.vip](mailto:fancyarn@afterservice.vip)

Get 24/7 Assistance at



Or Visit: <https://fancyarn.afterservice.vip>